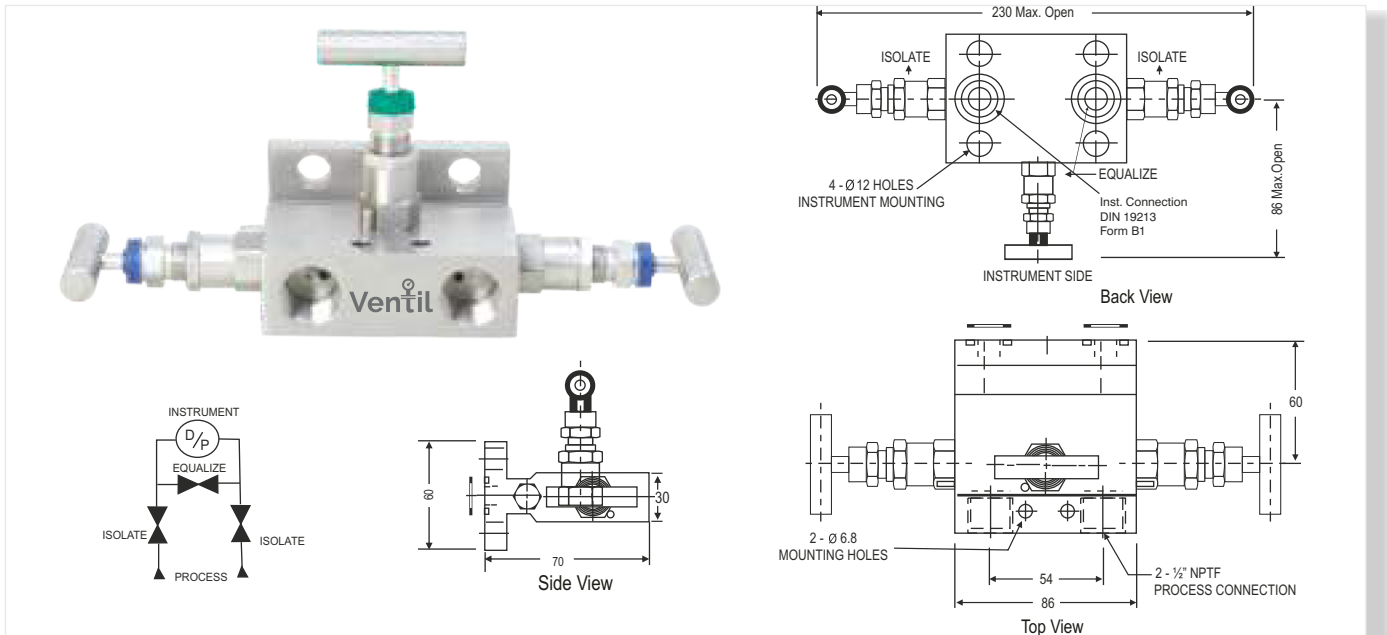


THREE VALVE MANIFOLDS

DIRECT MOUNT (PIPE TO FLANGE)

MODEL CODE : K3VQ

With threaded horizontal port inlet on the front side and Flange outlet on the back side without test/vent connection. The isolating bonnets are positioned on the left and right hand side and Equalizing bonnet is positioned on the top.



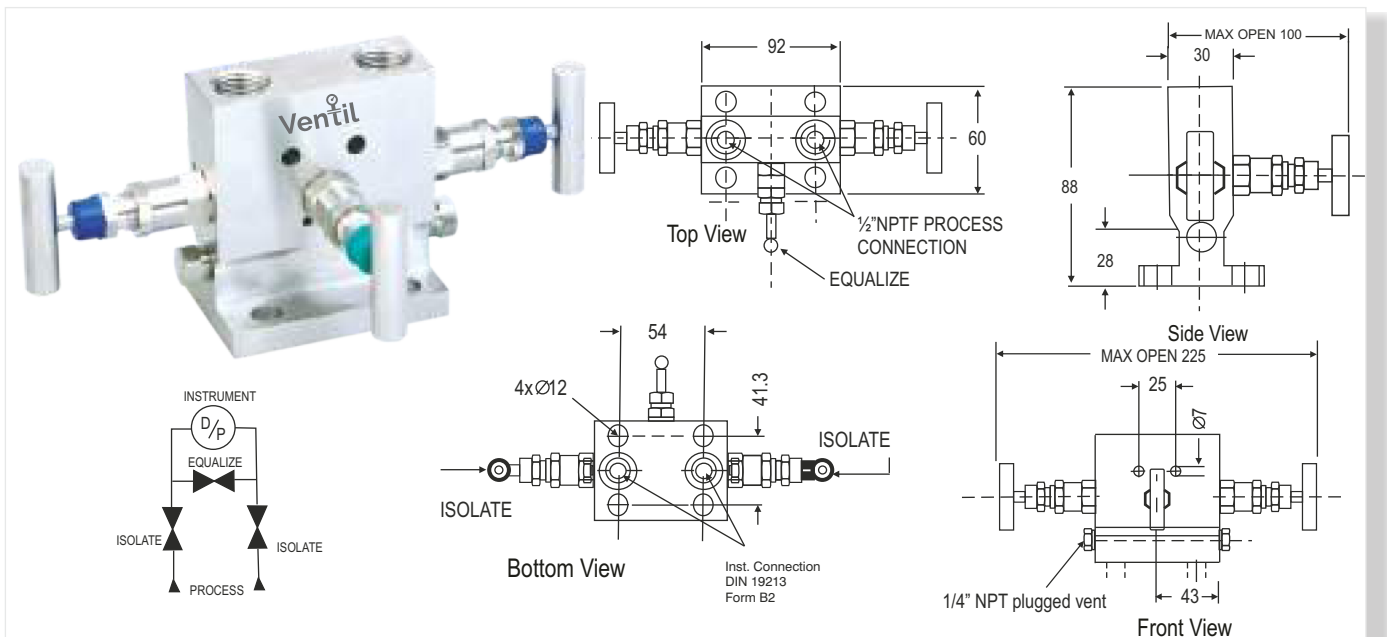
Standard Connection

| Product | Process side | Instrument side |
|---------|-----------------|-----------------|
| K3VQ | 1/2" NPT female | Flange |

Optional with 1/4" NPT Drain Plug & Drain Plug with bleed available on request

MODEL CODE : K3VT

With threaded horizontal port inlets on the front side and Flange outlets on the back side. Two test connections positioned on the left and right hand side of the body. The isolating bonnets are positioned on the left and right hand side and the equalizing bonnet is positioned on the top.



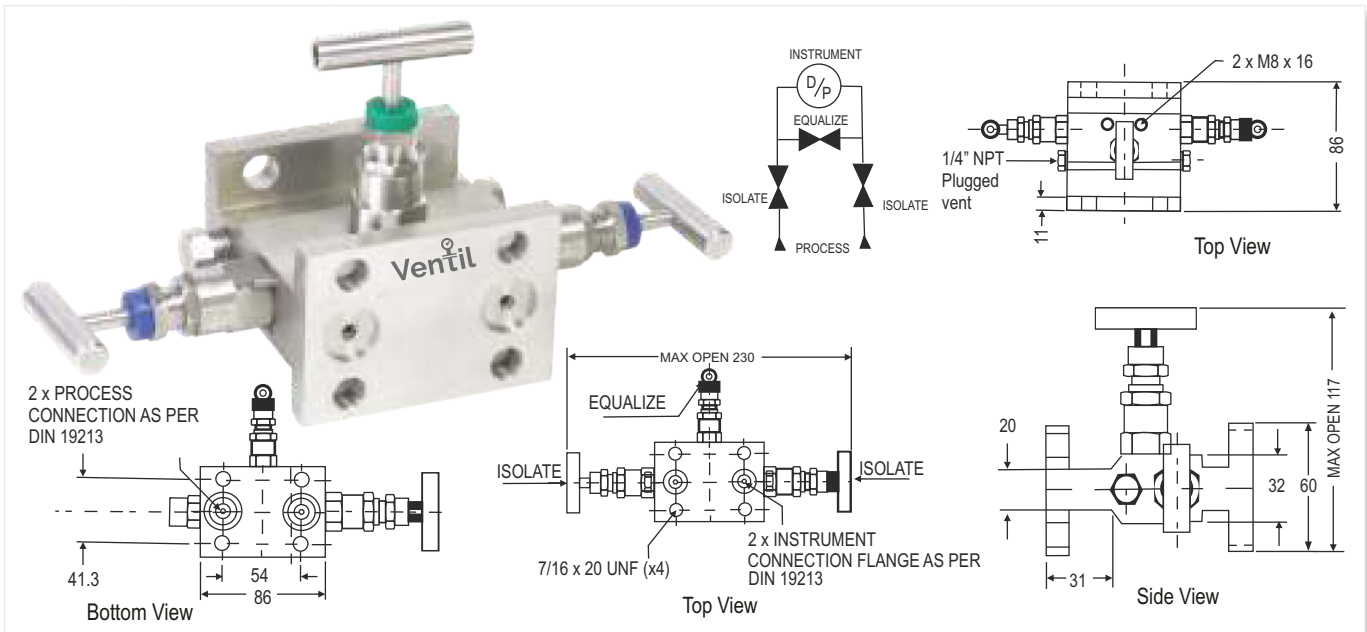
Standard Connection

| Product | Process side | Instrument side | Vent/Test |
|---------|-----------------|-----------------|-----------------|
| K3VT | 1/2" NPT female | Flange | 1/4" NPT female |

DIRECT MOUNT (FLANGE TO FLANGE)

MODEL CODE : K3VH

With Flange horizontal port inlets on the front side and Flange outlets on the back side. Two test connections positioned on the left and right hand side of the body. The isolating bonnets are positioned on the left and right hand side and the equalizing bonnet is positioned on the top.



Standard Connection

| Product | Process side | Instrument side | Vent/Test |
|---------|--------------|-----------------|-----------------|
| K3VH | Flange | Flange | 1/4" NPT female |

Specifications - Standard Version K3VT, K3VH, K3VQ

| | |
|-----------------------------|---|
| Body | : SS 316 |
| Stem | : SS 316 |
| Valve assembly | : SS 316 |
| 'T' bar handle | : SS 304 |
| Maximum working pressure | : 6000 PSI / 400 bar |
| Maximum working temperature | : 240°C |
| Packing | : PTFE |
| Type of stem | : Type CT; Stem with conical metal tip |
| Drain port | : 1/4" NPT [F]; provided with SS 316 plug |
| Hard Chrome plating | : Provided on stem tip. |
| Bracket mounting holes | : 4 Nos. With 12 mm ID. |

HOW TO ORDER

BASIC MODEL : K3VQ, K3VT, K3VH, K3VCN

| Body Material | Stem Type | Stem Packing | Size = Inlet x Outlet | Connections | Threads |
|------------------|-----------|----------------|-----------------------|-----------------------------|----------------------------------|
| C = Carbon Steel | CT (std) | P = PTFE (std) | 4F = 1/2" x Flange | FD = Female x Flange (54mm) | N = NPT (ANSI B 1.20.1) |
| S = SS 316 (std) | DS | G = Grafoil | 2F = 1/4" x Flange | SW = Socket Weld | P = BSPP (BS 2779, ISO 228/1) |
| S4 = SS 304 | | | | DD = Flange x Flange (54mm) | B = BSPT (BS 21, ISO 7/1) |
| SL = SS 316L | | | | | |
| M4 = Monel 400 | | | | | |
| M5 = Monel 500 | | | | | |
| H = Hastelloy C | | | | | |

THREE VALVE MANIFOLDS

DIRECT MOUNT (PIPE TO FLANGE / FLANGE TO FLANGE)

MODEL CODE : K3VQ, K3VT, K3VH, K3VCN

Coplanar mounting Three Valve Manifold with drain plugs. This manifold has two isolating valves, one equalizer valve & two vent ports duly plugged. when assembled to transmitter has the advantage of compact size with easy for operation in minimum space. The direct mounting facility to the base of the differential pressure transmitter result in less leakage points and more accurate measurements. This model mainly use for Rosemount Transmitter Model 3051

OPTIONS

- IE : Handle circular.
- TF : Compliance to NACE standard MR-0175.
- SG : For Oxygen service, valves are supplied cleaned, degreased and suitably packed.
- GH : Material test certificate
- GO : Hydro test certificate
- MB : Mounting Bracket
- MBC : Mounting bolts (7/16" UNF) in carbon steel (Model : MBC - M45, MBC - M25)
- MBS : Mounting bolts (7/16" UNF) in SS (Model : MBS - M45, MBS - M25)D4 : 1/4" NPT (M) Drain Plug
- PRF : PTFE Ring For Flange Seal
- GRF : Grafoil Ring For Flange Seal
- BLD4 : Bleeder 1/4" NPT (Male)
- D4 : 1/4" NPT Drain Plug
- ATV : Anti Tamper valve
- ATK : Anti Tamper key

Ordering Example:

To place an order simply refer to the codes in the table.

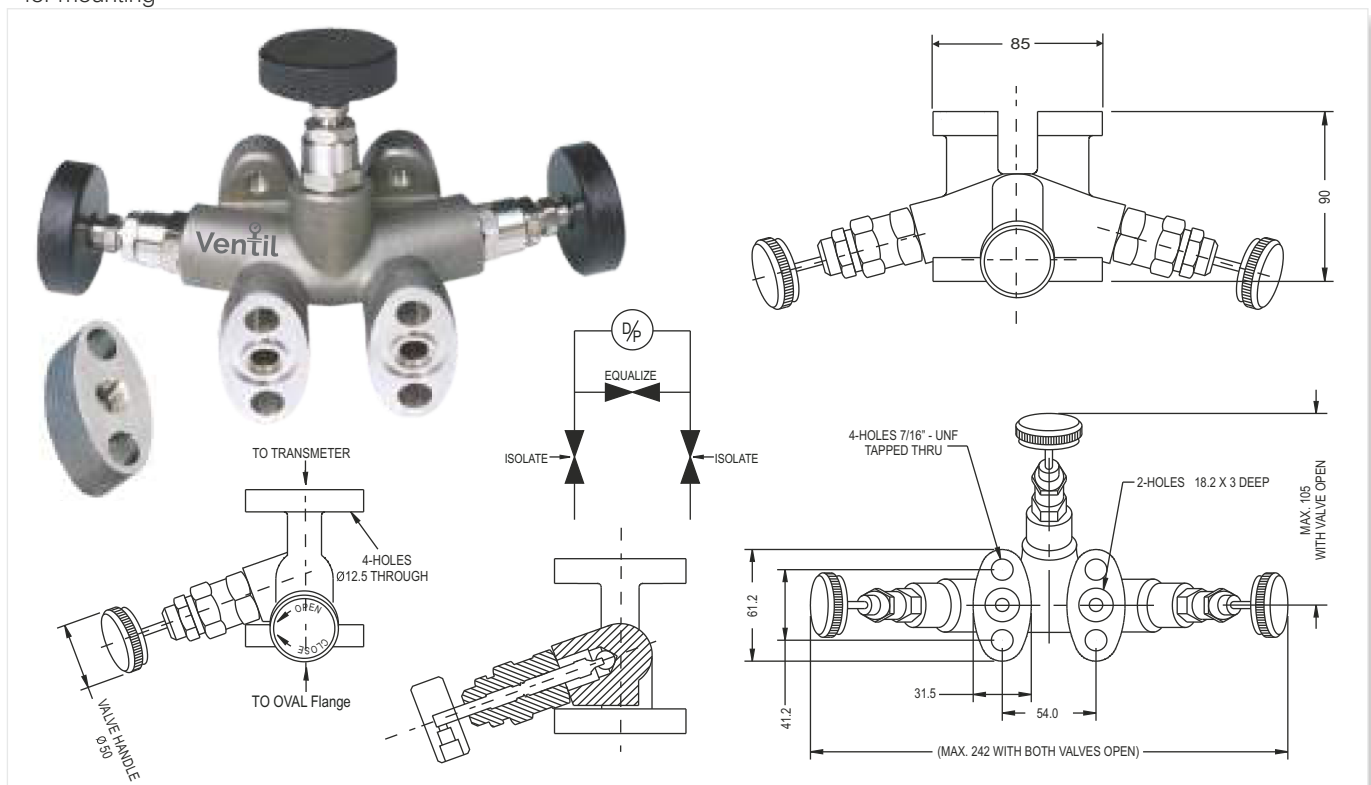
| Valve Type | Body Material | Stem Type | Stem Packing | Size | Connections | Threads | Options |
|------------|---------------|-----------|--------------|------|-------------|---------|-------------------------------|
| K3VT | S | CT | P | 4F | FD | N | = K3VT-S-CT-P-4F-FD-N-Options |

NOTE:

- The weld prepared types are available with female plain end - suitable for socket weld.
- Anti-tamper bonnet - special design on request with locking arrangement if desired.

MODEL CODE : K3VCN

Special Three valve manifold with body made of casting. The standard Series of SS 316 material withstands a pressure of 6000 psi and is used for isolation and equalizing. Connection : Special [oval Flange] Accessory provided : Kidney Flange for mounting



For Further details please contact factory.